

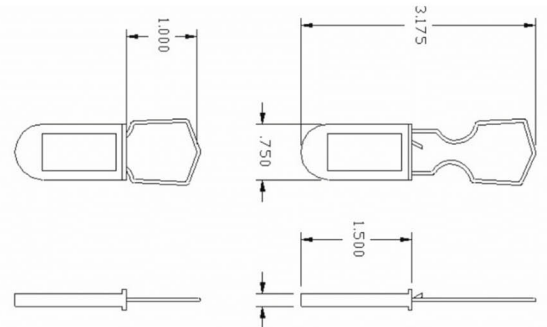
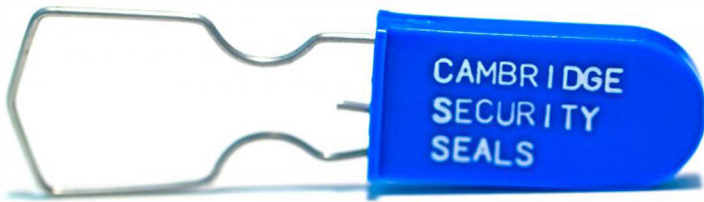
Plastic Padlock with Wire Hasp (PAD-C)



Applications

- Utility Meters
- Airlines
- Hatches
- Tote Boxes
- Cable Signalization
- US & UK Customs Approved

The CSS Wire Hasp Padlock Seal is comprised of a corrosion resistant galvanized or Stainless hasp in a one-piece construction to easily snap into place while offering anti-pilferage diversity. The steel insert enhances durability to ensure the seals remain highly visible and readable. A variety of colors are available for customization up to 39 characters on 3 lines and sequential numbering up to 7-digits.



Material	Polyethylene and Galvanized Hasp
Break Strength	100 lbs (Regular Hasp)
Body Dimensions	1.6" length, .92" width, .19" thickness, 3/4" hasp free space when locked
Standard Colors	Blue, Red, Green, Orange, Yellow, Gray, Black & White
Print Options	Hot Stamped, Laser Printing
Print Colors	white print color
Customization	customer name, logo, or numbering
Packaging	50 seals per wire bundle, 1000 seals per box
Box Weight	9 lbs
Box Dimensions	10.5" x 15" x 30"

Standard Colors

